

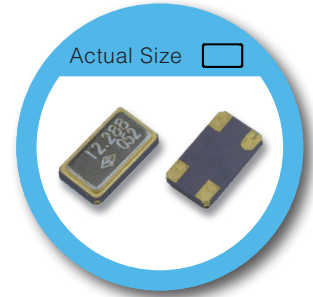
## 6.0 x 3.5 mm SMD Crystal – XR Type

### FEATURE

- Typical 6.0 x 3.5 x 1.0 mm ceramic package.
- 16 mm width Tape & Reel package for automatic assembly.
- Tight tolerance 10 ppm available.
- Packing: Tape & Reel, 1000/2000/3000/5000pcs per Reel.

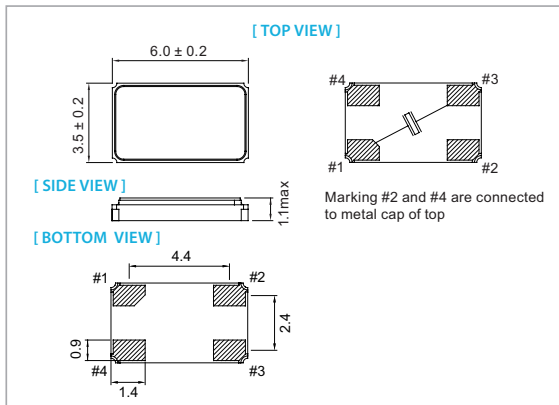
### TYPICAL APPLICATION

- Automotive
- MP3 Player, DECT
- WLAN

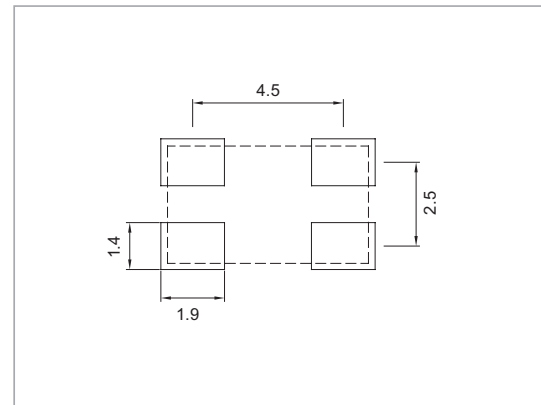


**RoHS Compliant Standard**

### DIMENSION (mm)



### SOLDER PAD LAYOUT (mm)



### ELECTRICAL SPECIFICATION

Parameter	Min.	Typical	Max.	Unit
Storage Temp. Range	-55	-	125	°C
Level of Drive	-	10	300	µw
Shunt Capacitance (Co)	-	-	7.0	pF
Insulation Resistance	500 MΩ@ DC100V	-	-	
Aging		±3.0		ppm / year

Standard frequencies are frequencies which the crystal has been designed and does not imply a stock position.

### EQUIVALENT SERIES RESISTANCE (E.S.R)

TYPE FREQUENCY	MODE	E.S.R
8 MHz ≤ Freq. < 12 MHz	A1	< 60 Ω
12 MHz ≤ Freq. < 13 MHz	A1	< 50 Ω
13 MHz ≤ Freq. < 19 MHz	A1	< 45 Ω
19 MHz ≤ Freq. < 20 MHz	A1	< 40 Ω
20 MHz ≤ Freq. < 30 MHz	A1	< 35 Ω
30 MHz ≤ Freq.	A1	< 30 Ω

### FREQ. STABILITY vs. TEMP. RANGE

Temp. (°C)	ppm	±5	±10	±15	±20
-10 ~ +60		△	○	○	○
-20 ~ +70		×	○	○	○
-40 ~ +85		×	×	△	○

\* ○: Available △: Conditional X: Not available