

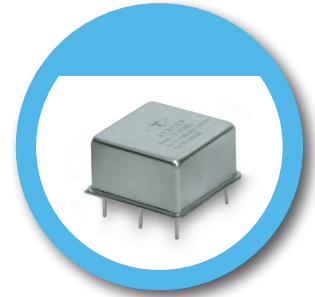
25.8 x 25.8 mm Oven Controlled Crystal Oscillator – NA Type

FEATURE

- Dimension 25.8 x 25.8 x 15 mm typical.
- SC Cut Crystal.
- High stability ; Low Phase Noise.
- Sine Wave or CMOS output ; Fast warm-up.
- Packing: 40pcs/Box, 5 Box/Cartron, 200pcs /Cartron.

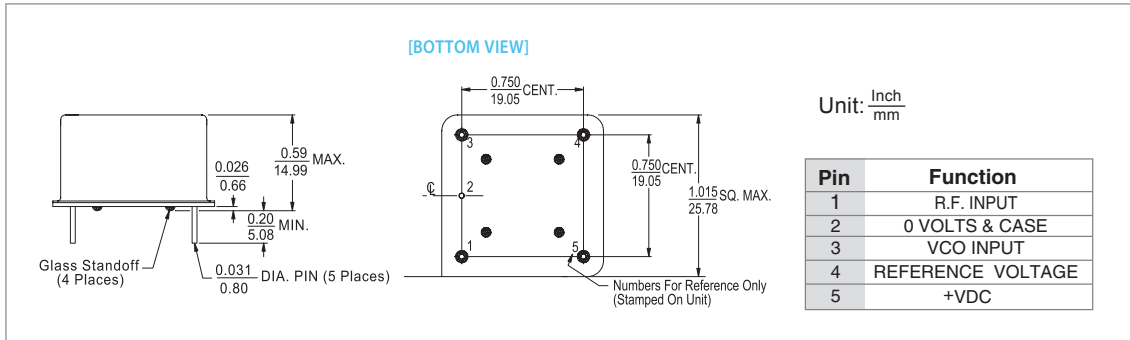
TYPICAL APPLICATION

- Base Station



RoHS Compliant Standard

DIMENSION



ELECTRICAL SPECIFICATION

| Parameter | Min. | Nominal | Max. | Unit | Test Condition | |
|--|----------------------------------|---------|----------------------|-------------------|--|--|
| Output | Frequency | 10 | | MHz | | |
| | Wave Form | | Sine Wave | | | |
| | Level | 2.0 | 4.0 | 6.0 | dBm | |
| | Load | | 50 | | Ω | |
| | Harmonics Spurious | | -25 -60 | | dBc | |
| Frequency Stability | Ambient Operating Temperature | 0 | | ± 20 $+70$ | ppb $^{\circ}\text{C}$ | Referenced to $+25^{\circ}\text{C}$ |
| | Aging | | | | | |
| | At time of shipment | | | ± 1.0 | ppb | After 30 days |
| | After indefinite storage- Daily | | | ± 1.0 | | |
| | - Yearly | | | ± 100 | | |
| | - 10 years | | | ± 350 | | |
| Voltage Warm-up | | | ± 10 ± 10 | | $\pm 5\%$ hange In 3 minutes @ $+25^{\circ}\text{C}$ (Referenced to 1 Hour) | |
| Phase Noise @ 10MHz | | | -115 -135 -140 | dBc | @ 10Hz @ 100Hz @ 1KHz | |
| Electrical Frequency Adjustment | Range | 0.4 | | 1.0 | \pm ppm | |
| | Control Slope | 0.0 | | 4.0 | V | |
| | Center | 1.4 | 2.0 | 2.6 | V | Control Voltage at which nominal Frequency occurs at time of shipment |
| | Linearity | | | 10 | % | |
| | Input impedance | 50 | | | K Ω | |
| Input Power | Voltage | 4.75 | 5.0 | 5.25 | V | |
| | Current | | | 3.7 | W | @ turn on |
| | Steady state | | | 1.5 | | @ 25°C |
| Reference Voltage | Voltage | 3.8 | 4.0 | 4.2 | V | |
| | Load | 9.0 | | ∞ | K Ω | |
| | Temperature Stability | | | ± 0.01 | VDC | |

Standard frequencies are frequencies which the crystal has been designed and does not imply a stock position.

*All aging stabilities are after storage of up to 1 year and apply after 30 days of continuous operation.

The daily aging rate also applies at the time of shipment from factory.

*The Electrical Frequency Adjustment Range is sufficient for the life of the oscillator. Specification subject to change with frequency.

Available Frequency Range: 5MHz to 40 MHz including 5.0, 10.0, 16.384, 19.44, 24.576 and 32.768 MHz

FREQ. STABILITY vs. TEMP. RANGE

| Temp. ($^{\circ}\text{C}$) | ppb | ± 2 | ± 5 | ± 10 |
|------------------------------|-----|---------|---------|----------|
| 0 ~ $+70$ | | ○ | ○ | ○ |
| -20 ~ $+70$ | | ○ | ○ | ○ |
| -40 ~ $+85$ | | △ | ○ | ○ |

* ○: Available △: Conditional X: Not available